

MAXIFLO

IH Chemical

End Suction

Process Pump



IH Series, are single-stage single suction horizontal end suction centrifugal pumps developed on the basis of type IS hydraulic model. Ideal for delivering corrosive liquids similar to water in terms of viscosity, including organic and non-organic chemicals.

QUALITY PUMPS

Sole Distributor :
PT Putra Anugerah Mandiri
Jakarta

FEATURES

- Designed in accordance with ISO2858-1975(E) International Standard.
- Back slide cover construction facilitated service and repairing work. Rotor may be easily pull out without having to disturb suction and discharge pipes.
- Soft packing for shaft sealing.
- Flexible spacer coupling.

Performance Data

Flow Range: 2 ~ 450m³/hr
Head Range: 3.5 ~ 140m
Suction Dia.: 50 ~ 200
Pump Speed: 1450/2900 rpm
Fluid Temp.: -20 ~ 105°C

Materials of Construction for Liquid Contacted Parts

Material	ZG1Cr18Ni9	ZG1Cr18Ni9Ti	ZG1Cr18Ni12Mo2Ti	OCr18Ni12Mo2Ti	ZG1Cr18Ni12MoTi
Code	303	305	306	316	307
Material	ZG00Cr14Ni14Si4	ZG00Cr14Ni10	ZG270-500	00Cr18Ni12Mo2Ti	ZG1Cr18Mn13Mo2CuNi
Code	300	301	203	316L	402

Model Nomenclature

e.g. IH80-65-160A

IH — Chemical Process
End Suction Pump

80 — Suction Dia. (mm)

65 — Discharge Dia. (mm)

160 — Impeller Dia. DN (mm)

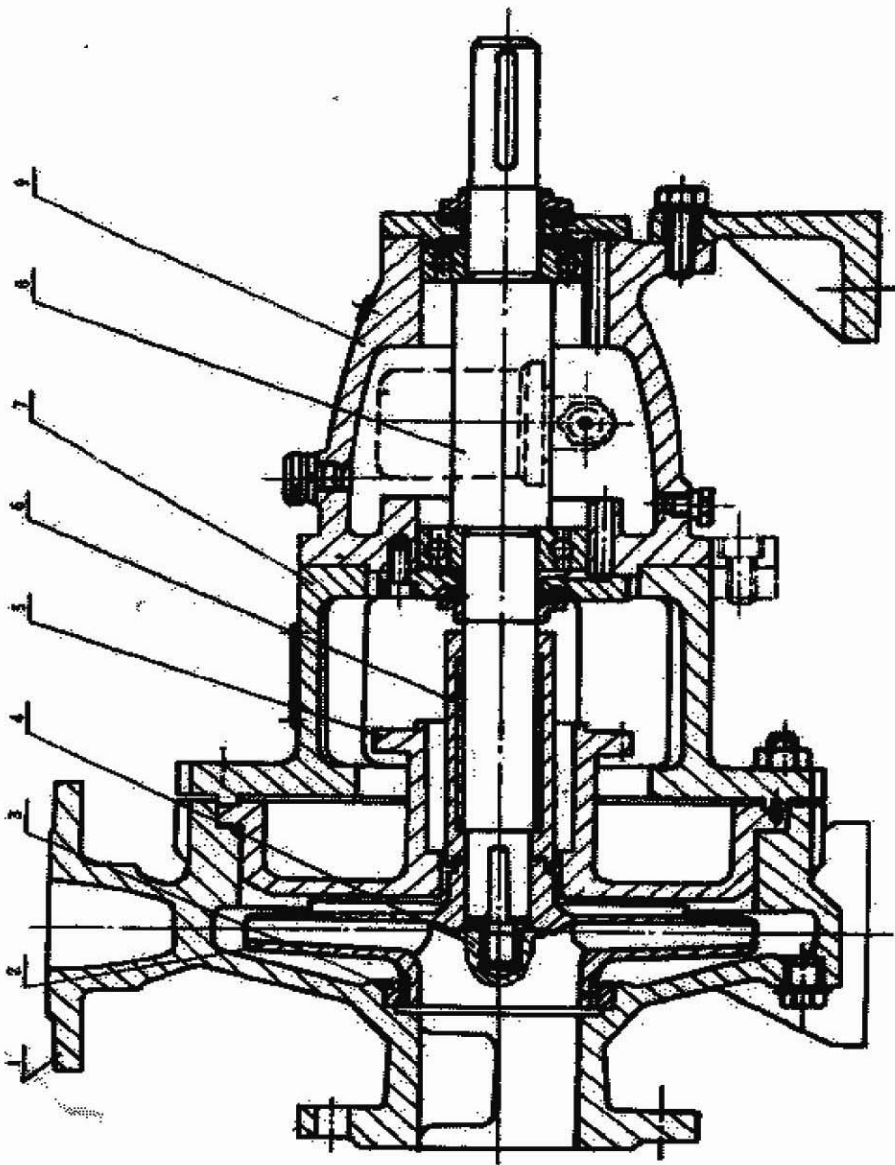
Variations:

A — Impeller



QUALITY PUMPS

Configuration Drawing

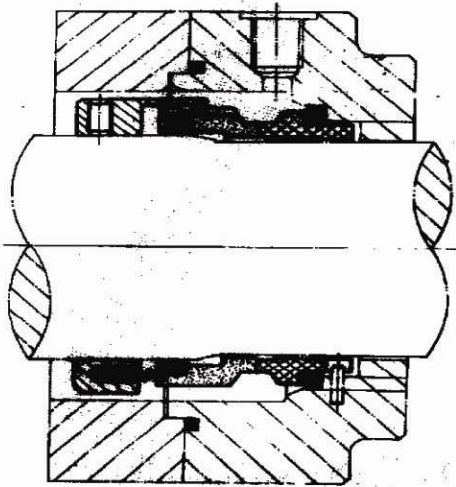


1. Pump casing
2. Impeller
3. Seal Ring
4. Impeller Nut
5. Casing Cover
6. Sealing Parts
7. Intermediate Frame
8. Shaft

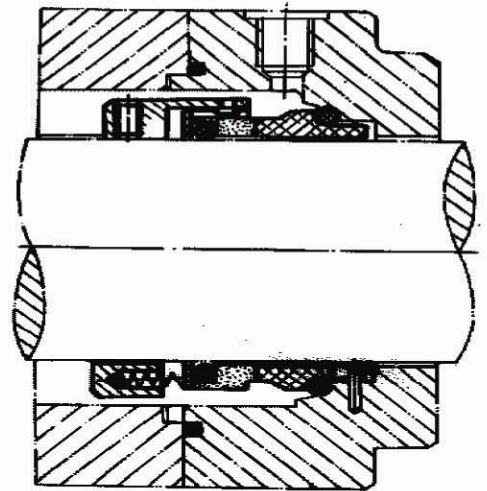
QUALITY PUMPS

Configuration Drawings of Mechanical Seals

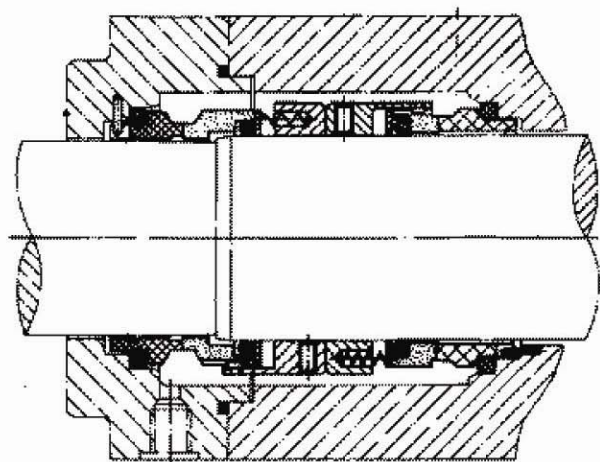
Balanced Sealing



Unbalanced Sealing



Double End Mechanical Sealing



QUALITY PUMPS

MAXIFLO

Performance Data Chart

Model	Speed (r.p.m)	Capacity (m ³ /h)	Head (m)	Eff. (%)	Power (KW)		(NPSH) _r (m)	Weight (kg)
					Shaft Power	Motor Power		
50-32-125	2900	12.5	20	51	1.33	2.2	2.0	42
	1450	6.3	5	45	0.19	0.55	2.0	
50-32-160	2900	12.5	32	46	2.37	3	2.0	48
	1450	6.3	8	40	0.34	0.55	2.0	
50-32-200	2900	12.5	50	39	4.36	5.5	2.0	57
	1450	6.3	12.5	33	0.65	1.5	2.0	
50-32-250	2900	12.5	80	33	8.25	11	2.0	95
	1450	6.3	20	27	1.27	2.2	2.0	
65-50-125	2900	25	20	62	2.2	3	2.0	44
	1450	12.5	5	55	0.31	0.55	2.0	
65-50-160	2900	25	32	57	3.82	5.5	2.0	50
	1450	12.5	8	51	0.53	0.75	2.0	
65-40-200	2900	25	50	52	6.55	11	2.0	63
	1450	12.5	12.5	46	0.93	1.5	2.0	
65-40-250	2900	25	80	46	11.84	15	2.0	99
	1450	12.5	20	39	1.75	3	2.0	
65-40-315	2900	25	125	39	21.8	30	2.0	115
	1450	12.5	32	33	3.3	5.5	2.0	
80-65-125	2900	50	20	69	3.95	5.5	3.0	50
	1450	25	5	64	0.53	0.75	2.0	
80-65-160	2900	50	32	67	6.5	11	2.3	58
	1450	25	8	62	0.88	1.5	2.0	
80-50-200	2900	50	50	63	10.8	15	2.5	69
	1450	25	12.5	57	1.49	2.2	2.0	
80-50-250	2900	50	80	58	18.78	30	2.6	102
	1450	25	20	52	2.6	4	2.0	
80-50-315	2900	50	125	52	32.7	45	2.0	119
	1450	25	32	46	4.47	7.5	2.0	
100-80-125	2900	100	20	73	7.46	11	4.3	58
	1450	50	5	69	1.0	2.2	2.0	
100-80-160	2900	100	32	73	11.9	15	4.3	77
	1450	50	8	69	1.58	2.2	3.4	
100-65-200	2900	100	50	72	18.9	22	3.9	81
	1450	50	12.5	68	2.5	3	2.5	
100-65-250	2900	100	80	68	32	37	3.6	116
	1450	50	20	63	4.3	5.5	2.5	
100-65-315	2900	100	125	62	54.9	75	3.2	127
	1450	50	32	58	7.5	11	2.0	
125-10-200	2900	200	50	77	35.4	45	5.0	98
	1450	100	12.5	73	4.66	7.5	2.9	
125-100-250	2900	200	80	75	58.1	75	4.5	132
	1450	100	20	72	4.3	5.5	2.5	
125-100-315	2900	200	125	70	97.3	132	5.2	147
	1450	100	32	67	13	18.5	2.0	
125-100-400	1450	100	50	58	23.47	30	2.5	198
150-125-250	1450	200	20	77	14.1	18.5	2.8	168
150-125-315	1450	200	32	75	23.2	30	2.8	189
200-150-250	1450	400	20	79	27.58	37	4.3	194
200-150-315	1450	400	32	79	44.1	55	3.5	268
200-150-400	1450	400	50	78	69.8	90	3.5	289

QUALITY PUMPS

Sole Distributor :
PT Putra Anugerah Mandiri
Jakarta