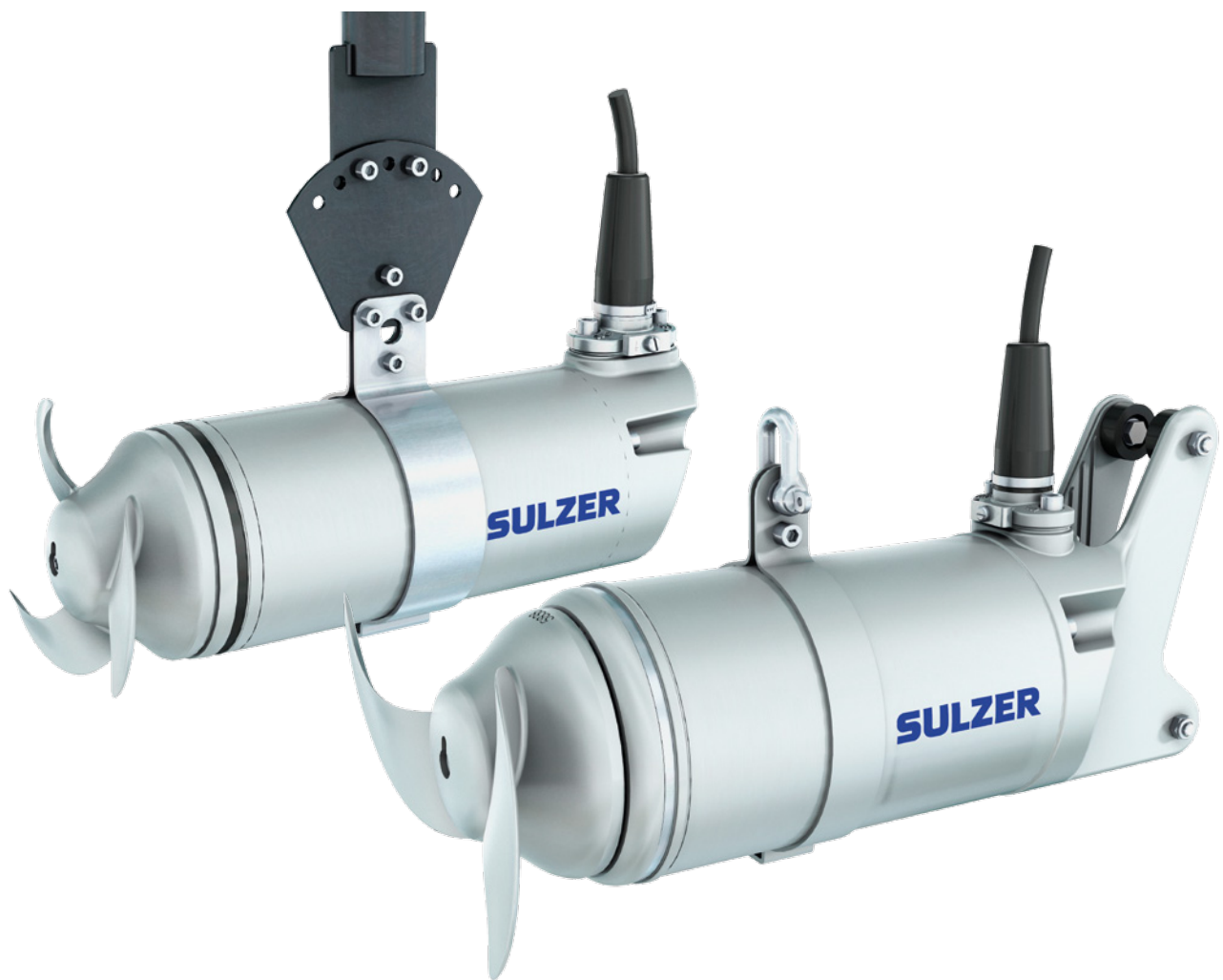


**Submersible Mixers Type ABS
XRW 210 and 300**



Main Applications

The submersible mixer type ABS XRW is a compact and versatile mixer with a wide range of applications, including use in aggressive and abrasive liquids.

Its design makes it particularly suitable for mixing and stirring applications in sewage treatment plants and industrial areas such as:

- Equalization of sewage
- Biological processes (aerobic, anoxic and anaerobic)
- Selector (contact zone)

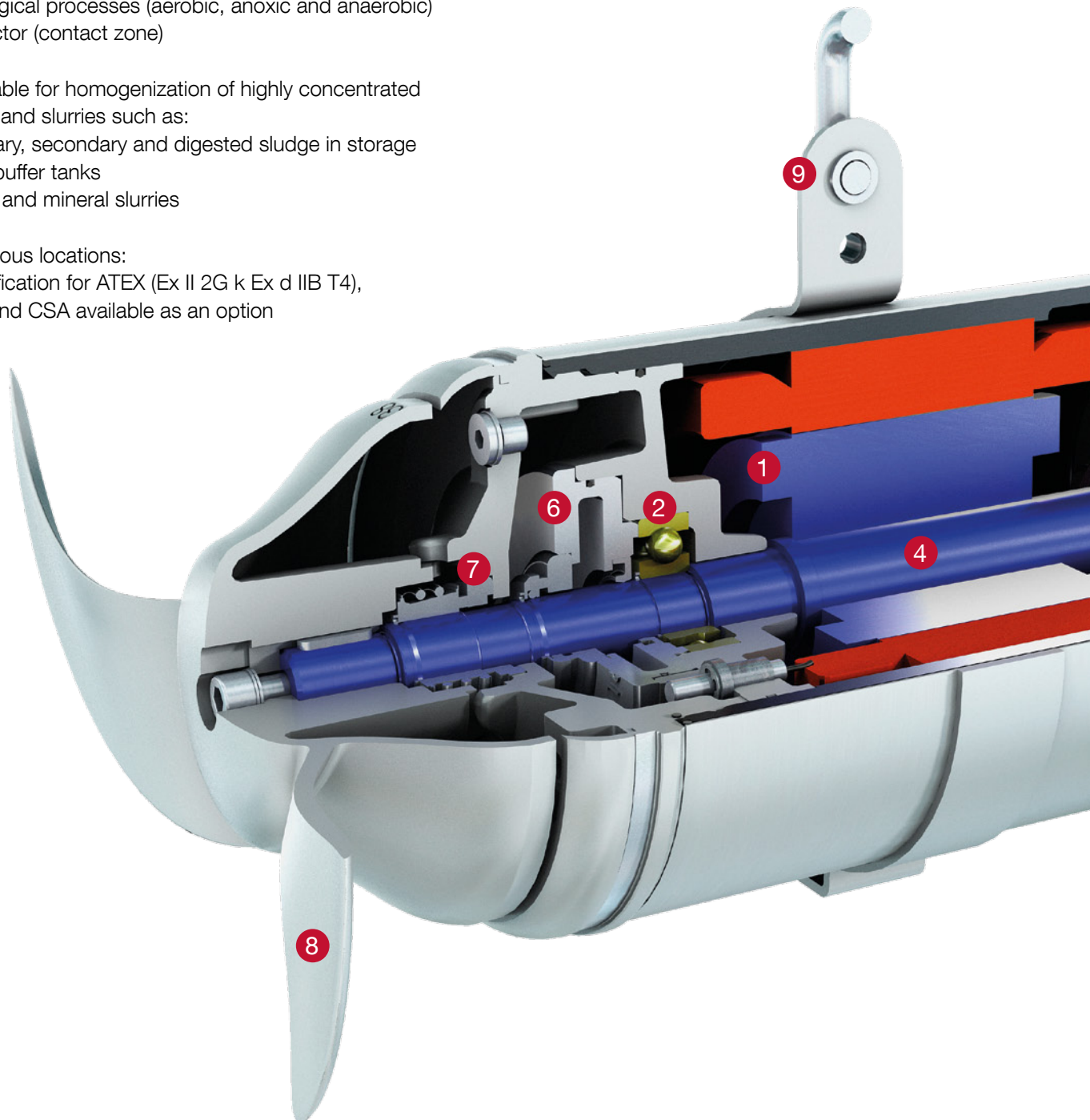
Applicable for homogenization of highly concentrated sludge and slurries such as:

- Primary, secondary and digested sludge in storage and buffer tanks
- Lime and mineral slurries

Hazardous locations:

- Certification for ATEX (Ex II 2G k Ex d IIB T4), FM and CSA available as an option

When you choose our submersible mixer XRW, you choose the market's best ongoing energy performance. You also get the best lifecycle cost, from initial purchase to ongoing operation.





Features and Benefits

The following features and benefits apply to the 210 and 300 models of the submersible mixer type ABS XRW, which are used for mixing at high speeds.

- 1 Energy-saving, premium-efficiency IE3 asynchronous motor**
 - Ensures the lowest possible energy consumption
 - Keeps operating temperature low for longer product life
- 2 Large, long-lasting bearings**
 - Offer true reliability with a calculated lifetime of more than 100,000 operating hours
 - Need no maintenance – lubricated for life
- 3 Pre-loaded upper bearing**
 - Prevents spinning through the design of the outer ring
 - Eliminates backlash
 - Ensures longer bearing life
- 4 Large rotor shaft**
 - Keeps shaft deflection to a minimum through heavy-duty construction
- 5 Sealed connection chamber with quick-connection block**
 - Simplifies mixer maintenance
 - Safeguards the motor to ensure high reliability
- 6 Triple seal system with dual oil chamber**
 - Enhances motor protection for full peace of mind
- 7 Enhanced mechanical seal protection system**
 - Keeps the mechanical seal clog-free
 - Greatly extends the life of the seal
- 8 Hydraulic-optimized investment-cast propeller**
 - Ensures the highest possible mixing performance
 - Reduces maintenance through self-cleaning
- 9 Abrasion-resistant galvanically insulated guide tube and suspension**
 - Reduces the risk of electrochemical corrosion
- 10 TCS (Thermo Control System)**
 - Provides a warning or switches off the motor automatically before the permissible temperature limit is exceeded, whether due to high-temperature medium or another problem source

Submersible Mixers Type ABS XRW 210 and 300



Operating data

50 Hz (IE3)		60 Hz (IE2 / IE3)
210 / 300 mm	Propeller diameter	210 / 300 mm 8 / 12 in
0.8 – 2.9 kW	Motor power	0.9 – 3.5 kW 1.2 – 4.7 hp
up to 85%	Motor efficiency	up to 85%
up to 0.23 m ³ /s	Mixing flow	up to 3,650 USgpm up to 0.23 m ³ /s

Materials

Mixer part	EC (cast iron)	CR (stainless steel)
Motor housing	EN-GJL-250 painted	1.4404 (AISI 316L)
Motor shaft	1.4021 (AISI 420)	1.4401 (AISI 316)
Propeller	1.4460 (AISI 329)	1.4460 (AISI 329)
Fasteners	1.4401 (AISI 316)	1.4401 (AISI 316)

We Do What We Say

Customer partnership

- We are **reliable partners**
- We provide a **high level of service**
- We **make our customers more competitive**



Committed people

- We drive **accountability**
- We are **open and transparent**
- We are **team players**



Operational excellence

- We **focus on results**
- We take **initiative** and work within **established processes**
- We **act safely**



A Global Specialist at Your Doorstep

Sulzer serves clients worldwide through a network of over 150 production and service sites and has a strong footprint in emerging markets.





www.sulzer.com

E10228 en (2) 6.2015 (3,000), Copyright © SULZER Ltd, 2015

This brochure is a general presentation. It does not provide any warranty or guarantee of any kind. Please, contact us for a description of the warranties and guarantees offered with our products. Directions for use and safety will be given separately. All information herein is subject to change without notice.